

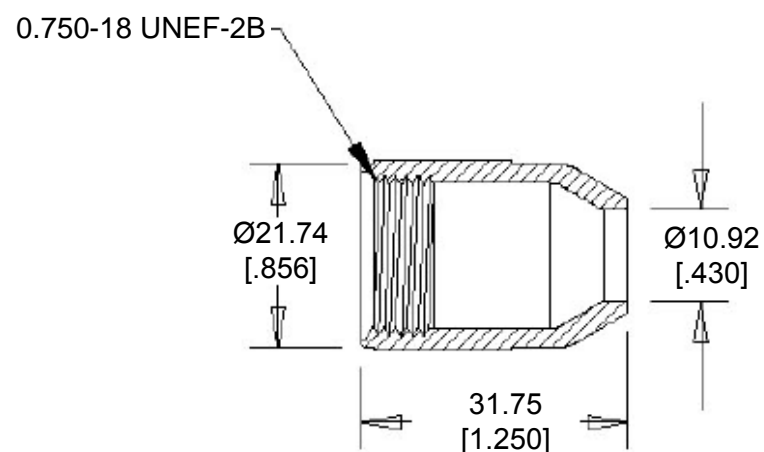
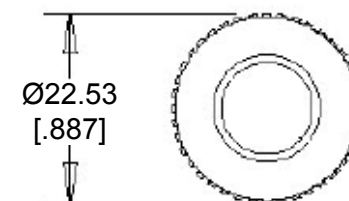
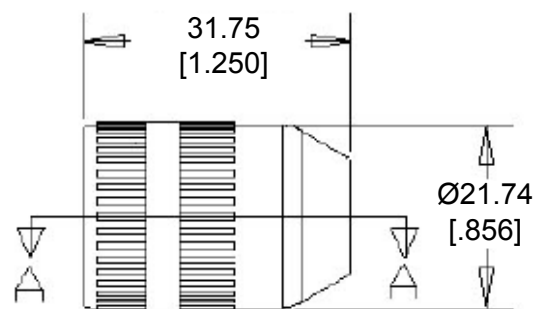
REVISIONS

P	LTR	DESCRIPTION	DATE	DWN	APVD
A		NEW RELEASE PER ECO-14-013592	09-05-14	DM	DM



Backshell

Compression Nut



SECTION A-A

4. PART NO. M902-2042

3. CABLE SIZE: Ø.300 - Ø.430

2. TEMPERATURE RATING: -40°C TO +134°C [-40°F TO +273°F]

1. THIS PART IS USED WITH
 BACKSHELL, M902-2132 (HD10, SIZE 3)
 BACKSHELL, M902-2162 (HD10, SIZE 6)
 BACKSHELL, M902-2192 (HD10, SIZE 9)

THIS DRAWING IS A CONTROLLED DOCUMENT.

DWN	D. MEYER 05SEP2014
CHK	I. GRANTCHAROVA 05SEP2014
APVD	D. MEYER 05SEP2014



DIMENSIONS: MM [INCH]	TOLERANCES UNLESS OTHERWISE SPECIFIED:
	0 PLC ±
	1 PLC ±
	2 PLC ± .63 [.025]
	3 PLC ±
	4 PLC ±
	ANGLES ± 5°

PRODUCT SPEC	
APPLICATION SPEC	

NAME
NUT, COMPRESSION, SIZE 3,6,9
CABLE SIZE: Ø.300 - Ø.430
HD10 SERIES

MATERIAL PC/PBT	FINISH BLACK
---------------------------	------------------------

WEIGHT	5.97 g
--------	---------------

SIZE	CAGE CODE	DRAWING NO	RESTRICTED TO
A3	4AFU8	M902-2042	-

Customer Drawing	SCALE	NONE	SHEET	1	OF	1	REV	A
------------------	-------	------	-------	---	----	---	-----	---